

Latch, Hall-Effect Magnetic Position Sensor

1 Product Description

The MT3411-EN family is produced by BCD technology with both high performance and high reliability. The Hall IC internally includes an on-chip Hall voltage generator, a voltage regulator for operation with supply voltage of 2.8V to 24V, a small-signal amplifier, Hall sensors with dynamic offset cancellation, a schmitt trigger and an open-drain output with over-current protection. It features temperature compensation technique to make the magnetic switching points stable over a wide temperature range. Other key features such as reverse supply voltage protection, output over-current protection and ESD level exceeding $\pm 6\text{KV}$ (HBM) make the IC extremely robust and fault tolerant, which is important in demanding application environment such as automotive. Its extremely low operating supply voltage 2.8V also makes it possible to add external resistance in series with the supply pin for even greater protection against high voltage transients from the power supply.

When the magnetic flux density (B) is greater than the operating point (BOP), the output turns on (Low). The output is held steady till the magnetic flux density (B) is less than the releasing point (BRP), at which point it turns off (High).

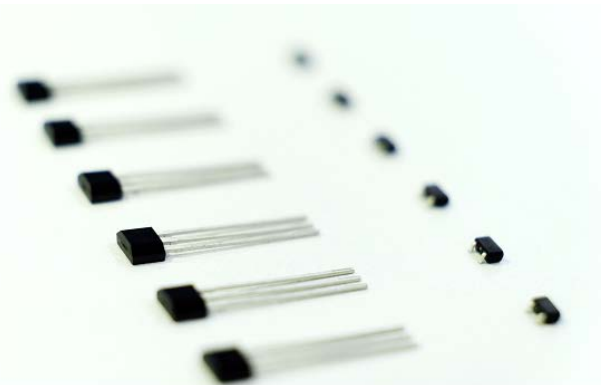
2 Features

- BCD Technology
- Latch Switch
- 2.8~24V Operating Vcc Range
- -40°C~150°C Operating Temperature
- Magnetic Sensitivity Option:
BOP=24Gs, BRP=-24Gs
- Internal pull-up resistor
- -27V Reversed Power Supply Protection
- Output Limiting Current Protection
- RoHS Compliant: (EU)2015/863

3 Product Overview of MT3411-EN

Part No.	Description
MT3411A-EN	Flat TO-92, bulk packaging (1000pcs/bag)
MT3411A-T-EN	Flat TO-92, radial lead, bulk packaging (1000pcs/bag)
MT3411AT-EN	SOT-23, tape & reel (3000pcs/bag)
MT3411AT-N-EN	SOT-23, tape & reel (3000pcs/bag)

Note: MT3411AT-N-EN chip mark is 411N+date code



4 Applications

- Home appliances, Industrial
- DC Fan, Electric tools
- Magnetic Encoder
- Flow Sensor

5. Pin Configuration and Functions

	Vcc	Out	GND
SOT-23	1	2	3
SOT-23 (Thin Outline)	1	2	3
Flat TO-92 (Radial Lead)	1	3	2
Flat TO-92	1	3	2
Description	Power	Output Open-Drain	Ground

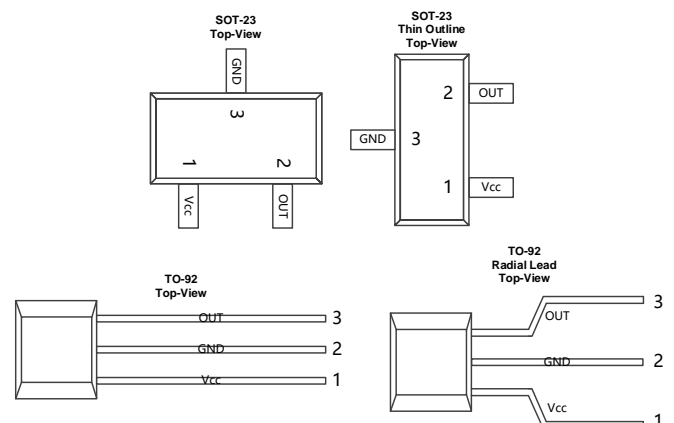


Figure.1 Pin Configuration & Functions

Table of Contents

1	Product Description.....	1
2	Features.....	1
3	Product Overview of MT3411-EN	1
4	Applications.....	1
5	Pin Configuration and Functions.....	1
6	Definition of Switching Function.....	3
7	Function Description.....	3
8	Feature Description.....	3
9	Functional Block Diagram.....	4
10	Electrical and Magnetic Characteristics.....	4
	10.1 Absolute Maximum Ratings.....	4
	10.2 Electrical Specifications.....	5
	10.3 Magnetic Characteristics.....	5
	10.4 ESD Ratings.....	5
	10.5 Characteristic Performance.....	6
	10.6 Typical Output Waveform.....	7
11	Typical Application Circuit.....	7
12	Package Material Information.....	8
	12.1 SOT-23 Package Information.....	8
	12.3 Flat TO-92 Package Information.....	9
	12.4 Flat TO-92 (Radial Lead) Package Information.....	10
13	Copy Rights and Disclaimer.....	11

Reversion History

1	Originally Version	
2	2.1 Version	Update format Update the marking spec of SOT-23
3	2.2 Version	Update the Logo of MagnTek

6 Definition of Switching Function

Figure.2 & Figure.3 shows the device functionality and hysteresis

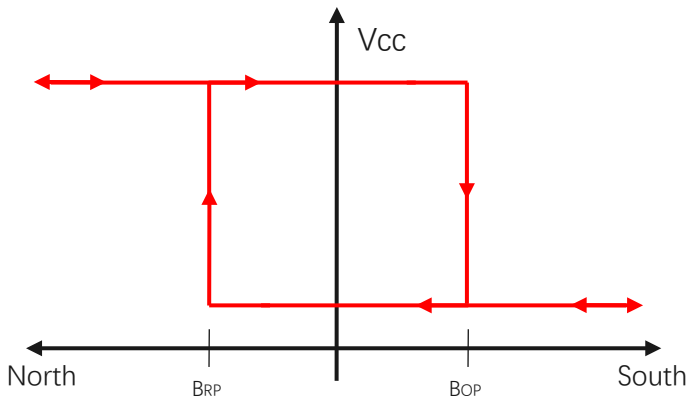


Figure.2 Switching Function of MT3411AT-N-EN & MT3411A-EN & MT3411A-T-EN

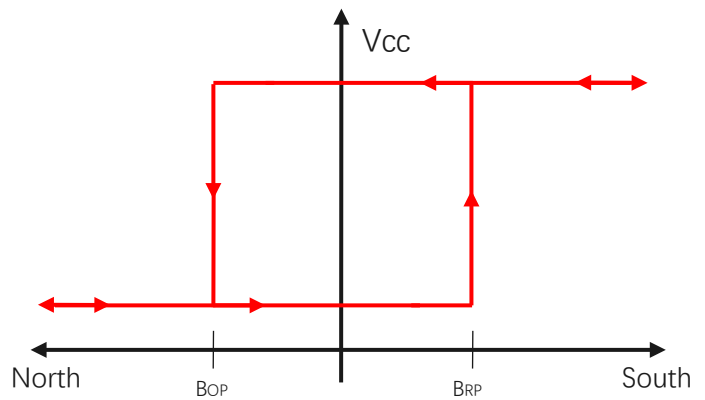


Figure.3 Switching Function of MT3411AT-EN

7 Function Description

B_{OP}: Operating Point, Magnetic flux density applied on the branded side of the package which turns the output driver ON ($V_{OUT}=Low$)

B_{RP}: Releasing Point, Magnetic flux density applied on the branded side of the package which turns the output driver OFF ($V_{OUT}=High$)

B_{HYST}: Hysteresis Window, $|B_{OP} - B_{RP}|$

Devices that have a lower magnetic threshold ($V_{OUT}=High$) detect magnets at a farther distance. Higher thresholds ($V_{OUT}=Low$) generally require a closer distance or larger magnet.

8 Feature Description

The MT3411-EN device is sensitive to the magnetic field component that is perpendicular to the top of the package

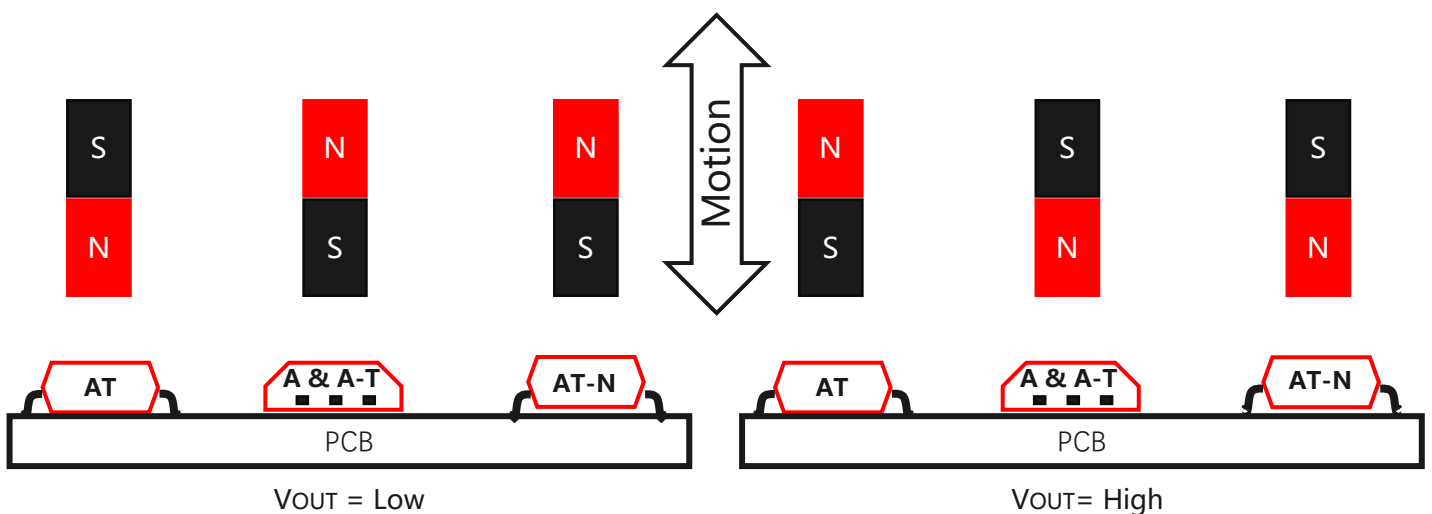


Figure.4 Flux Direction Polarity

9 Functional Block Diagram

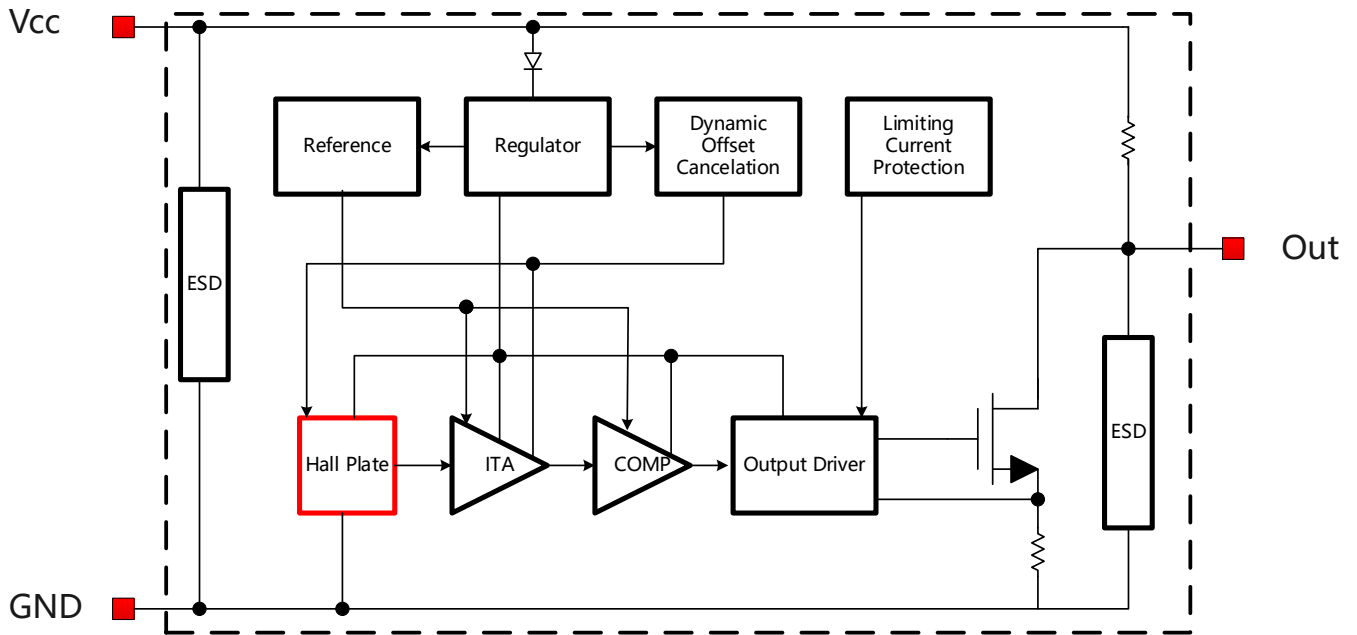


Figure.5 Functional Block Diagram

10 Electrical and Magnetic Characteristics

10.1 Absolute Maximum Ratings

Absolute maximum ratings are limited values to be applied individually, and beyond which the serviceability of the circuit may be impaired. Functional operability is not necessarily implied. Exposure to absolute maximum rating conditions for an extended period of time may affect device reliability.

Symbol	Parameters	Min	Max	Units
VCC	Supply Voltage	-	27	V
VRCC	Reverse Battery Voltage	-27	-	V
VOUT	Output Voltage	-	27	V
IOUT	Continuous Output Current	-	27	mA
TA	Operating Ambient Temperature	-40	150	°C
TS	Storage Temperature	-50	150	°C
TJ	Junction Temperature	-	165	°C
B	Magnetic Flux Density	No Limit		Gs

10.2 Electrical Specifications

At $T_A = -40 \sim 150 \text{ }^\circ\text{C}$, $V_{CC} = 2.8\text{V} \sim 24\text{V}$ (unless otherwise specified)

Symbol	Parameters	Test Condition	Min	Typ	Max	Unit
V_{CC}	Supply Voltage	Operating	2.8	-	24	V
I_{CC}	Supply Current	$B < B_{RP}$	1	2.3	3.5	mA
I_{OCP}	Short Circuit Protection Current	$B > B_{OP}$, $V_{OUT} = V_{CC}$	-	50	-	mA
V_{DSON}	Output Saturation Voltage	$I_{OUT} = 20\text{mA}$, $B > B_{OP}$	-	-	0.4	V
I_{OFF}	Output Leakage Current	$V_{OUT} = 24\text{V}$	-	-	10	μA
T_R	Output Rise Time	$C_L = 20\text{pF}$	-	-	3.0	μs
T_F	Output Fall Time	$C_L = 20\text{pF}$	-	-	3.0	μs
T_{PO}	Power on Time	$dV_{CC}/dt > 5\text{V}/\mu\text{s}$ $B > B_{OP(MAX)}$	-	-	10	μs
R_{PU}	Internal Pull-up Resistor		7	10	13	Kohms
F_C	Chopping Frequency		-	800	-	KHz
F_S	Sampling Frequency		-	400	-	KHz
R_{TH}	Thermal Resistance of SOT-23		-	301	-	$^\circ\text{C}/\text{W}$
	Thermal Resistance of TO-92		-	230	-	$^\circ\text{C}/\text{W}$

10.3 Magnetic Characteristics

At $V_{CC} = 2.8\text{V} \sim 24\text{V}$ (unless otherwise specified)

Part No.	Symbol	Min	Typ	Max	Unit
MT3411-EN Series	B_{OP} , $T_A = 25^\circ\text{C}$	5	24	40	Gs
	B_{RP} , $T_A = 25^\circ\text{C}$	-40	-24	-5	Gs
	B_{HYST} , $T_A = 25^\circ\text{C}$	10	48	80	Gs

10.4 ESD Ratings

Symbol	Reference	Values	Unit	
V_{ESD}	Human-body model (HBM)	AEC-Q100-002	± 6000	V
	Charged-device model (CDM)	AEC-Q100-011	± 1000	V

10.5 Characteristic Performance

At $V_{CC}=5V$

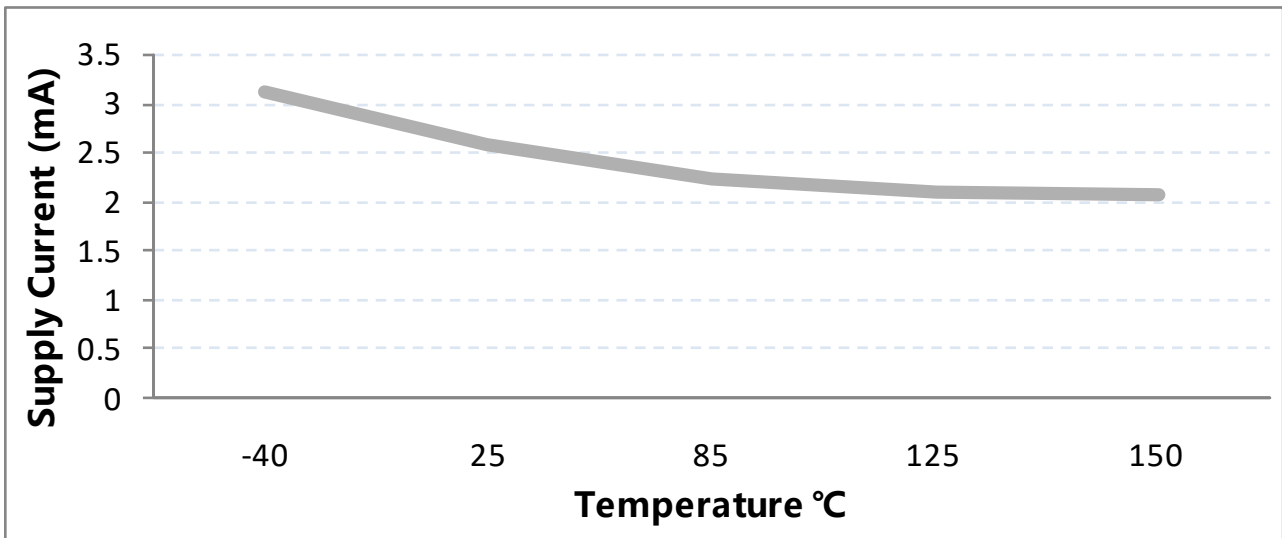


Figure.6 Supply Current vs. Temperature

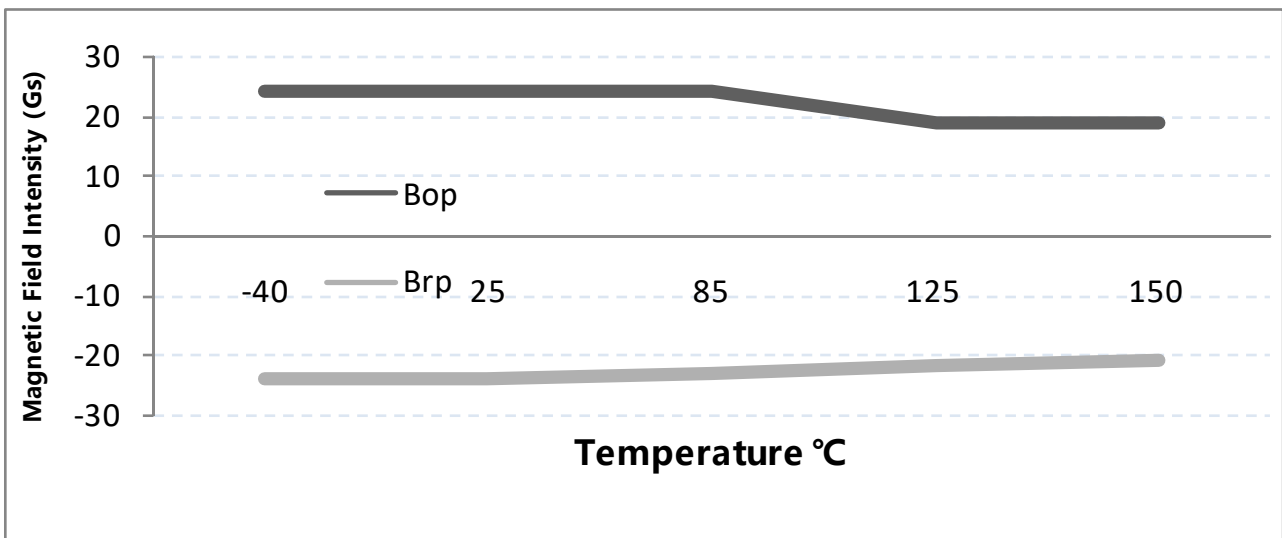


Figure.7 Magnetic Characteristics vs. Temperature (BOP & BRP)

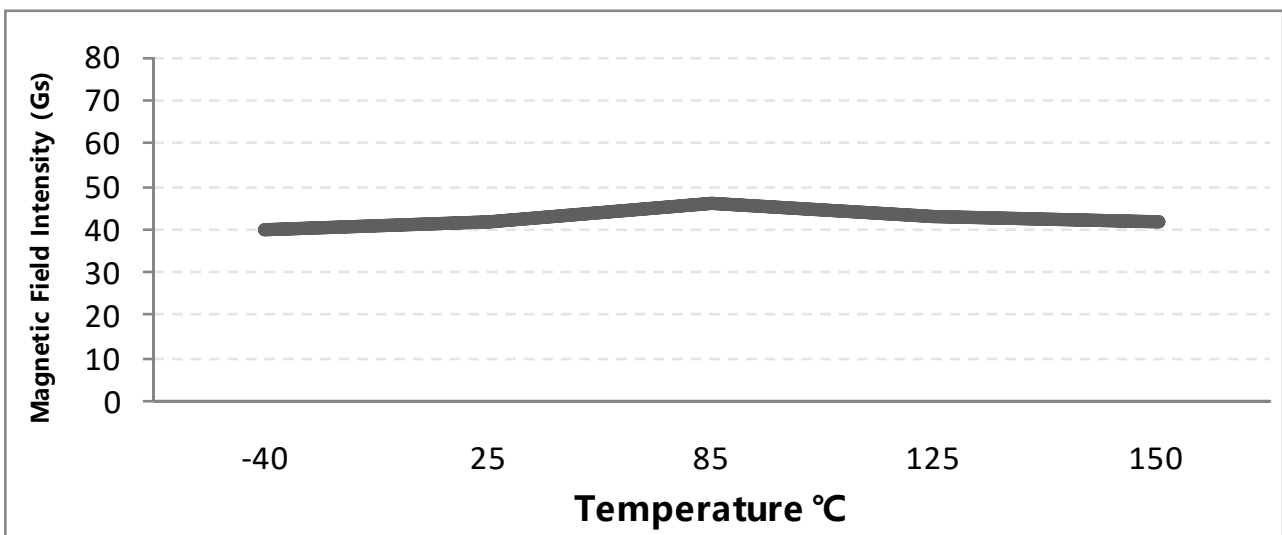


Figure.8 Magnetic Characteristics vs. Temperature (BHYST)

10.6 Typical Output Waveform

MT3411A-EN as example

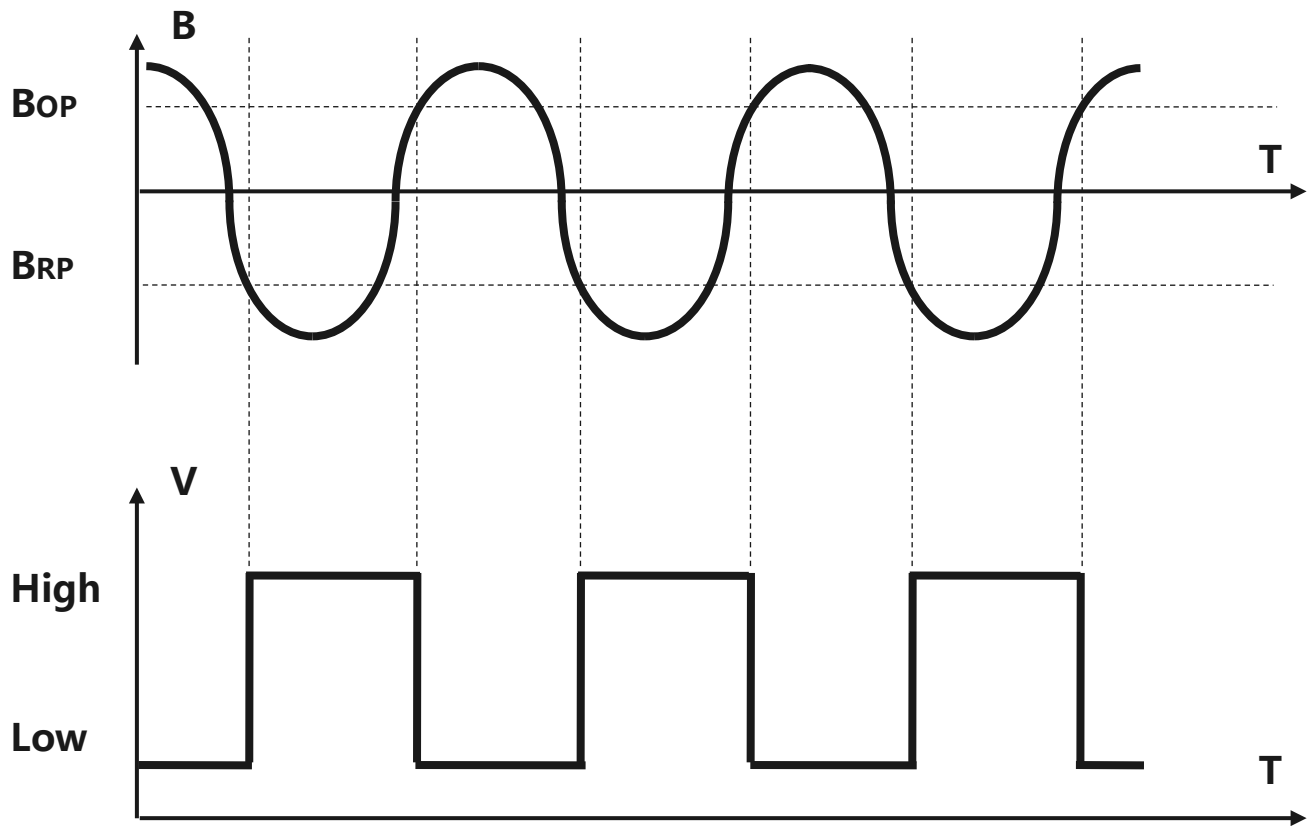


Figure.9 Digital Output vs. Magnetic Flux Density

11 Typical Application Circuit

MT3411AT-EN as example

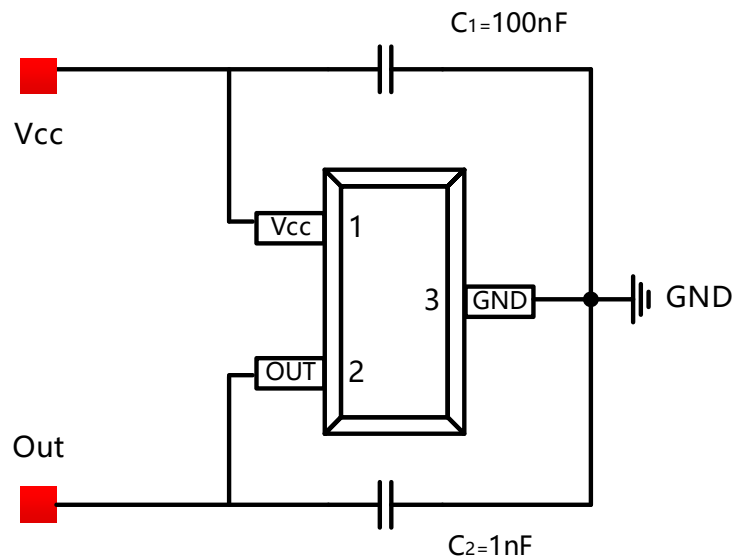


Figure.10 Typical Application Circuit

12 Package Material Information (For Reference Only – Not for Tooling Use)

12.1 SOT-23 Package Information

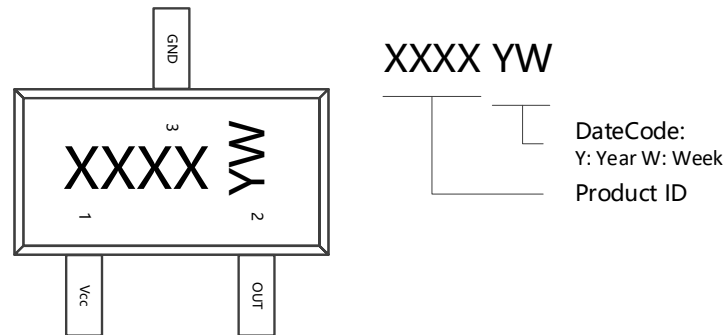


Figure.11 SOT-23 Chip Marking Spec

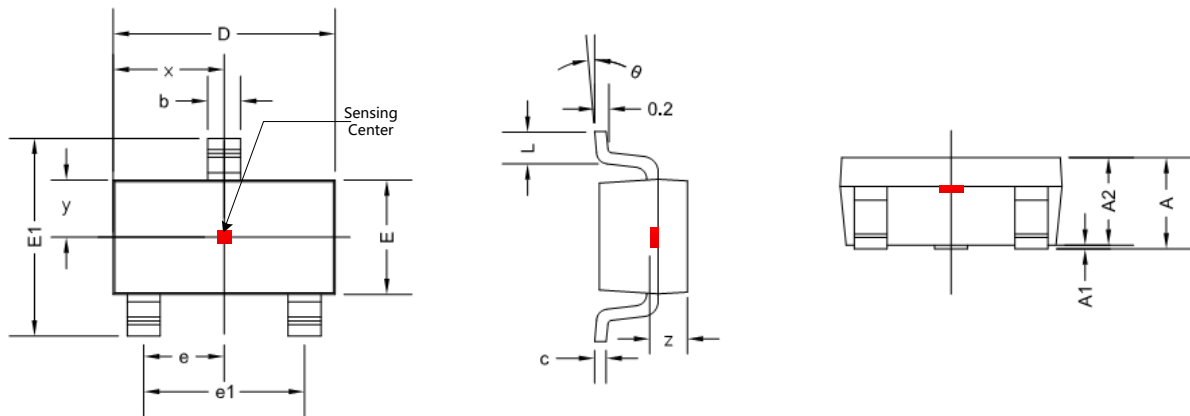


Figure.12 SOT-23 Package Drawing

Symbol	Dimensions in Millimeters		Dimensions in Inches	
	Min	Max	Min	Max
A	1.050	1.300	0.041	0.051
A1	0.000	0.150	0.000	0.006
A2	1.000	1.200	0.039	0.047
b	0.300	0.500	0.012	0.020
c	0.080	0.220	0.003	0.009
D	2.800	3.020	0.110	0.119
E	1.500	1.700	0.059	0.067
E1	2.600	3.000	0.102	0.118
e	0.950 TYP		0.037 TYP	
e1	1.800	2.000	0.071	0.079
L	0.300	0.600	0.012	0.024
θ	0 °	8 °	0 °	8 °
x	1.460 TYP		0.057 TYP	
y	0.800 TYP		0.032 TYP	
z	0.600 TYP		0.024 TYP	

12.2 Flat TO-92 Package Information

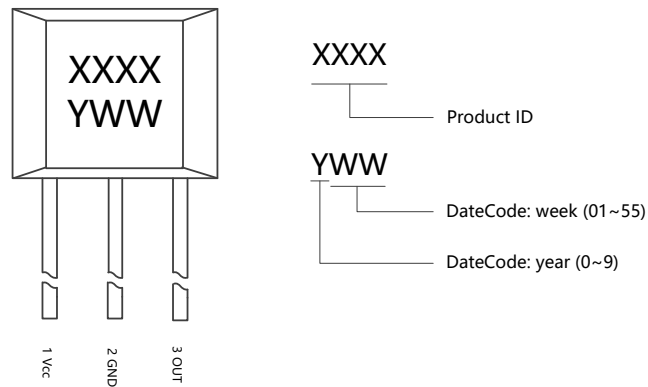


Figure.13 Flat TO-92 Chip Marking Spec

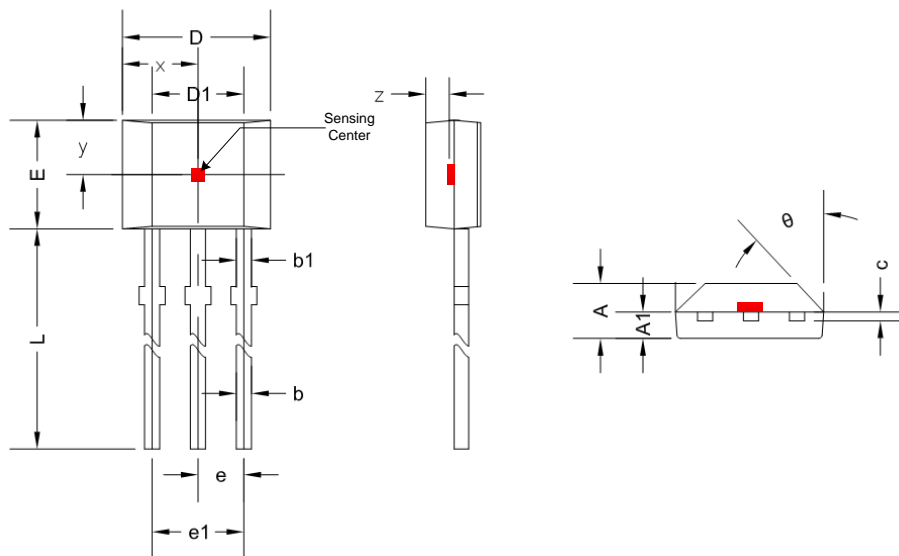


Figure.14 Flat TO-92 Package Drawing

Symbol	Dimensions in Millimeters		Dimensions in Inches	
	Min	Max	Min	Max
A	1.420	1.620	0.056	0.064
A1	0.660	0.910	0.026	0.036
b	0.330	0.560	0.013	0.022
b1	0.400	0.510	0.016	0.020
c	0.330	0.510	0.013	0.020
D	3.900	4.200	0.154	0.165
D1	2.280	2.680	0.090	0.106
E	2.900	3.280	0.114	0.128
e	1.270 TYP		0.050 TYP	
e1	2.440	2.640	0.096	0.104
L	13.500	16.200	0.531	0.638
θ	45 ° TYP		45 ° TYP	
x	2.025 TYP		0.080 TYP	
y	1.545 TYP		0.061 TYP	
z	0.500 TYP		0.020 TYP	

12.3 Flat TO-92 Package Information (Radial Lead)

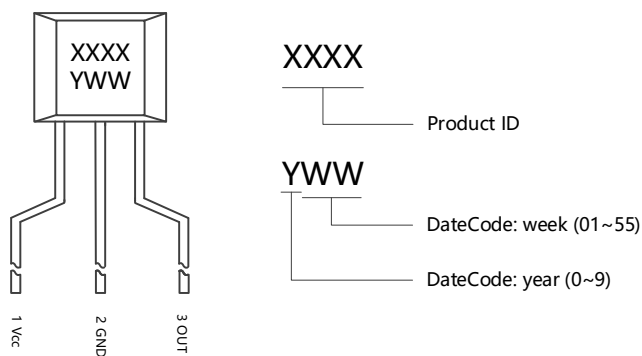


Figure.15 Flat TO-92 (Radial Lead) Chip Marking Spec

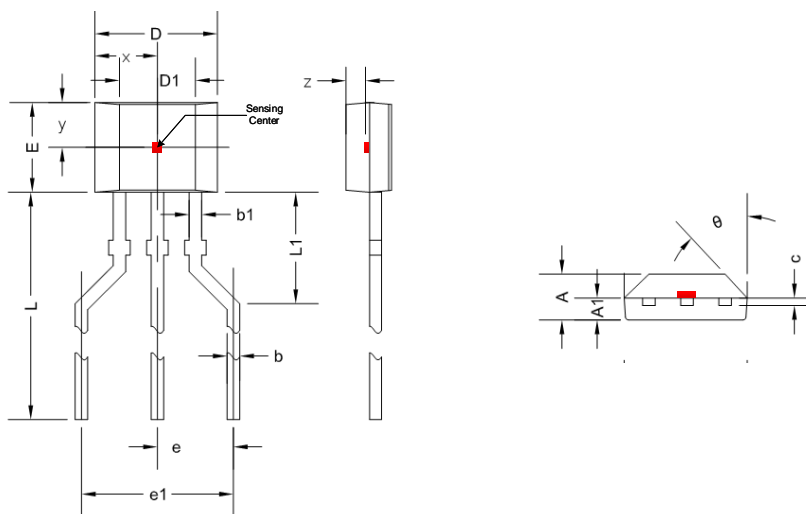


Figure.16 Flat TO-92 (Radial Lead) Package Drawing

Symbol	Dimensions in Millimeters		Dimensions in Inches	
	Min	Max	Min	Max
A	1.420	1.620	0.056	0.064
A1	0.660	0.910	0.026	0.036
b	0.330	0.560	0.013	0.022
b1	0.400	0.510	0.016	0.020
c	0.330	0.510	0.013	0.020
D	3.900	4.200	0.154	0.165
D1	2.280	2.680	0.090	0.106
E	2.900	3.280	0.114	0.128
e	2.540 TYP		0.100 TYP	
e1	5.000 TYP		0.197 TYP	
L1	2.000 TYP		0.079 TYP	
L	13.88 TYP		0.546 TYP	
θ	45 ° TYP		45 ° TYP	
x	2.025 TYP		0.080 TYP	
y	1.545 TYP		0.061 TYP	
z	0.500 TYP		0.020 TYP	

13 Copy Rights and Disclaimer

1. This document may not be reproduced or duplicated, in any form, in whole or in part without prior written consent of MagnTek . Copyrights © 2019, MagnTek Incorporated.
2. MagnTek reserves the right to make changes to the information published in this document at anytime without notice.
3. MagnTek' s products are limited for use in normal commercial applications. MagnTek' s products are not to be used in any device or system, including but not limited to medical life support equipment and system.

For the latest version of this document, please visit our website: www.magntek.com.cn